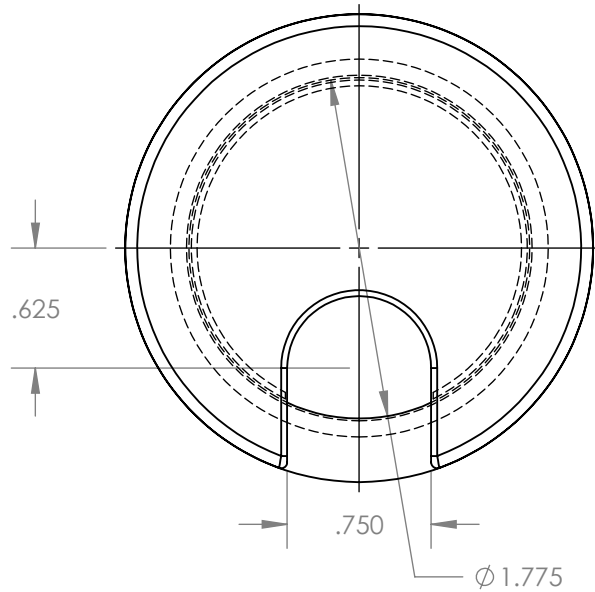
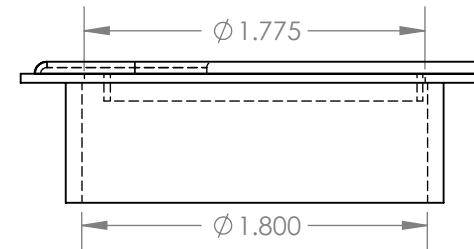
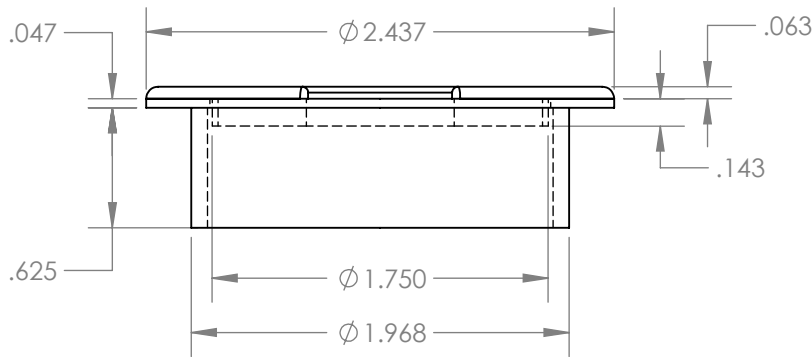
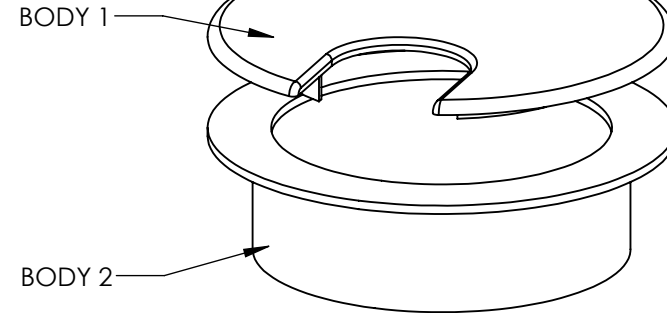


- NOTES:  
 1. REFER TO 3D CAD FOR COMPLETE GEOMETRY  
 2. BREAK ALL SHARP EDGES


REVISIONS			
REV.	DESCRIPTION	DATE	APPROVED
P01	INITIAL CONCEPT	12/23/16	

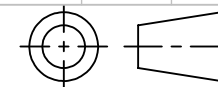


TWO BODIES



PART FILE NAME: 1035  
 REVISION: P01

UNLESS OTHERWISE SPECIFIED:		DATE	NAME	 BAINBRIDGE MANUFACTURING, INC P.O. BOX 487 WATERVILLE, WA 98858	
DIMENSIONS ARE IN INCHES AND MILLIMETERS [MM], TOLERANCES:		DESIGNED	6.6.18		Soderstrom
INCHES		DRAWN	MM/DD/YY		XXX
MILLIMETERS		CHECKED	MM/DD/YY		N/A
.X : ±0.1 [X] : [±3]		ENG. APPR.	MM/DD/YY		N/A
.XX : ±0.03 [X.X] : [±0.8]		MFG. APPR.	MM/DD/YY		N/A
.XXX : ±0.015 [X.XX] : [±0.38]		Q.A.	MM/DD/YY	N/A	
ANGULAR:					
MACHINE: ±0.5°, BEND: ±1.0°					
GEOMETRIC TOLERANCING PER: ASME-Y14.5-94					
MATERIAL: HIPS					
DO NOT SCALE					



TITLE:  
GROMMET - 2"

SIZE: A	DRAWING NUMBER: 1035	REV: P01
SCALE: 2:2	WEIGHT: 13.33 g	SHEET 1 OF 1

PROPRIETARY AND CONFIDENTIAL: THE INFORMATION CONTAINED IN THIS DRAWING IS THE SOLE PROPERTY OF BAINBRIDGE MANUFACTURING, INC. ANY REPRODUCTION IN PART OR AS A WHOLE WITHOUT THE WRITTEN PERMISSION OF BAINBRIDGE MANUFACTURING, INC. IS PROHIBITED.