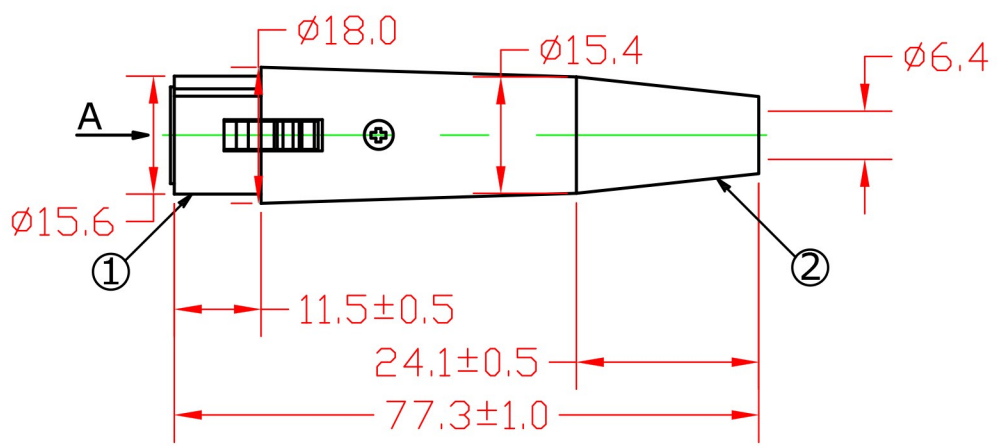
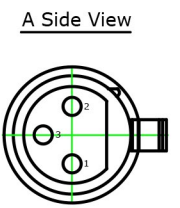


NOTE: ALL MATERIAL COMPLIANT ROHS STANDARD.

**RoHS  
Compliant**

| REVISION INFORMATION |           |             |                   |
|----------------------|-----------|-------------|-------------------|
| Rev.                 | Rev. Date | Modified By | Brief Description |
| V1.0                 | FEB.20.14 |             | INITIAL RELEASE   |

Part No.: 202401  
XLR 3P Microphone Connector Female



**ELECTRICAL TESTING**  
1. CONDUCTOR RESISTANCE:  $\leq 5\Omega$  300V DC

**MY CABLE MART**

|             |                     |  |
|-------------|---------------------|--|
| DRAWN BY    | DATE:<br>2014/02/20 | DESCRIPTION:<br>XLR 3P Microphone Connector Female |
| CHECKED BY  | SHEET 1 of 1        | ITEM NO. <b>202401</b>                             |
| APPROVED BY | SCALE 1:1           | REV. 00 UNIT: mm                                   |

| NO. | PART NAME                | SPECIFICATION DESCRIPTION | Q'TY | UNIT |
|-----|--------------------------|---------------------------|------|------|
| ②   | SHELL                    | Molded Plastic Black      | 1    | PC   |
| ①   | XLR 3P Microphone Female | Metal-Nickel Plated       | 1    | PC   |