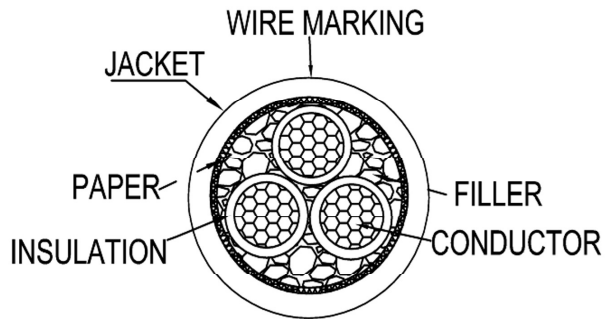
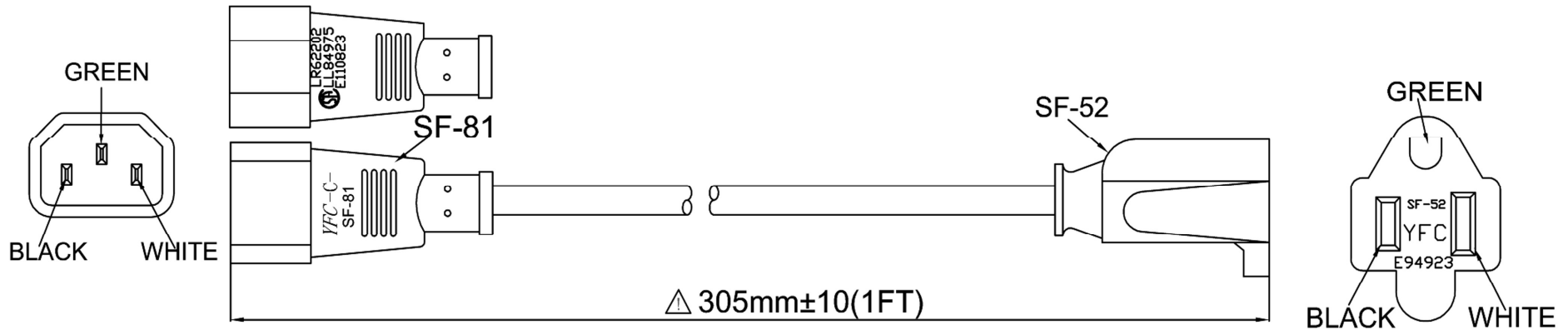


NOTE: ALL MATERIAL COMPLIANT ROHS STANDARD

REVISION INFORMATION			
Rev.	Rev. Date	Modified By	Brief Description



WIRE MARKING: (UL) E135710-F3 SVT 3X18AWG 60°C 300V VW-1 (Hollow) CSA LL95737 SVT 3X0.824mm ² (18AWG) 60°C 300V FT2 YFC-BONEAGLE							
Conductor		Insulation			Jacket		Overall diameter
AWG	Resistance maximum (≤)	Min.Thick	Diameter	Length of Lay	Min.Thick	AVG.Thick	
18# (41/0.154)	at20°C≤22.4ohms/km at25°C<22.8ohms/km	0.33mm	2.0±0.1mm	44↓mm	0.61mm	0.76mm	6.3±0.1mm
(NOTE: IF THE CONDUCTORS O.D IS GO BEYOND THE SCOPE, THE RESISTANCE OF CONDUCTOR IS STANDARD THEN)							

ELECTRIC TESTING:

- 100% OPEN & SHORT TESTING .
- VOLTAGE RATING:AC ≥1500V/S
- PLUG(SF-81) RATED POWER:
125V 10A UL-E94923 CSA-LR62202
- PLUG(SF-52) RATED POWER:
125V 10A UL-E94923 CSA-LR62202
- WIRE: SVT 18/3 RATED
POWER:300V 10A UL-E135710 CSA-LL95737
- COLOR:BLACK

My Cable Mart

DRAWN BY:DHY	DATE: 2012/02/29	DESCRIPTION: SVT 18/3 SF-81+SF-52	
CHECKED BY:wuxiao	SHEET 1 of 1	ITEM NO.	
APPROVED BY	SCALE 1:1	REV. 00	UNIT: mm

