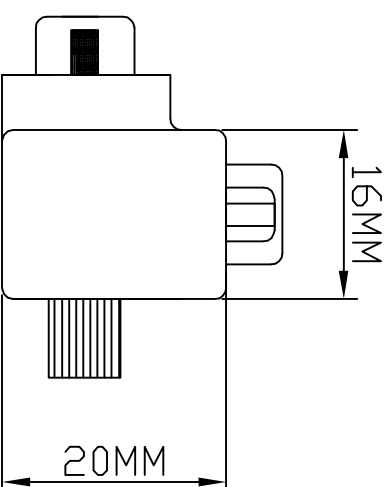
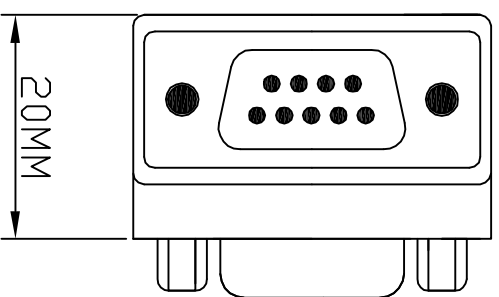
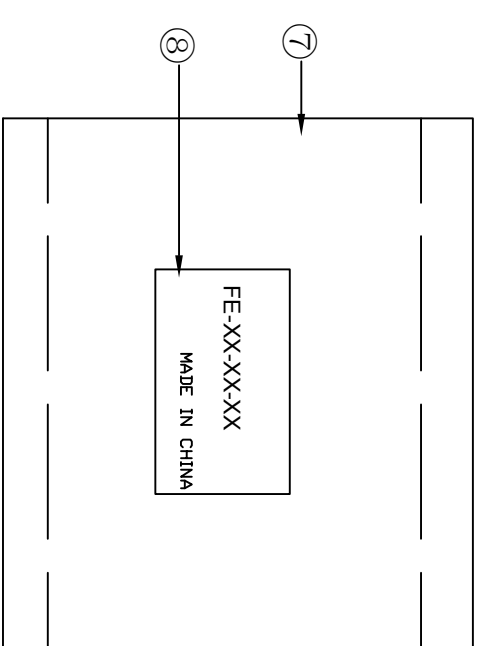
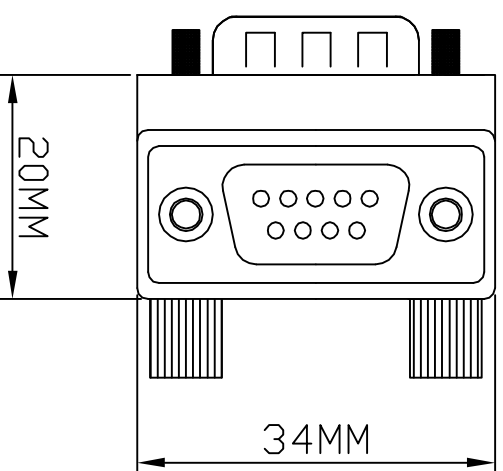


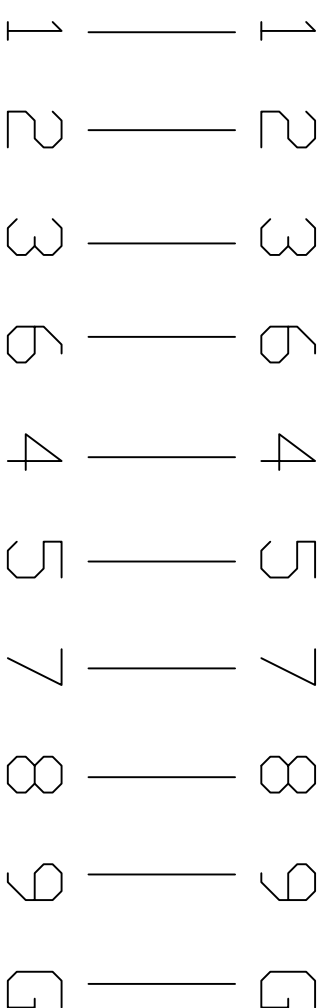
P1



P2



PIN OUT:



NOTES:

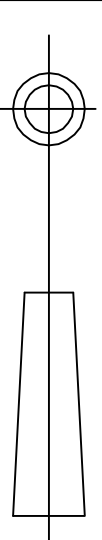
1. 100%OPEN&SHORT TESTING
2. VOLTAGE:300V DC
3. INSULATION RESISTANCE:20M ohm
4. CONTACT RESISTANCE:1ohm

8		
7		
6	PE BAG+LABEL	
5	PCV45Pd BLACK	
4	PE	
3	DB9F	
2	DB9M	
1	NO-UL CABLE	
NO.	Material	Description

MY CABLE MART LLC

Title:

DB9 M/F ADAPTER 90°



Customer: MY CABLE MART LLC

Page: 1/1

Drawn BY: CLR

Customer P/N: FE-ADT-344

REV: A1

Check BY: DYH

Date: 2016.08.15

Drawing NO.: FCDB03

Unit: mm

Appd BY: