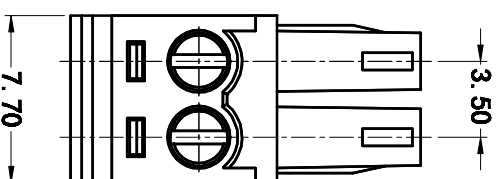
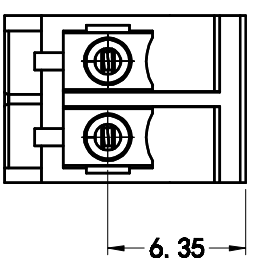
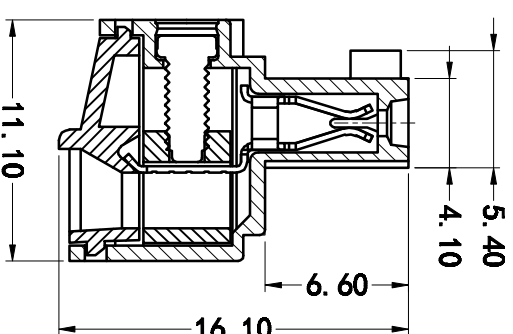


REVISION RECORD			REV.	CONTENT	MOD.	DATE
			1	初次发行		



- NOTES:**
1. Voltage Rating: 300V, Current Rating: 8A
 2. PITCH: 3.50mm
 3. Insulation Withstands Voltage: AC250V/min
 4. Insulation Withstands 500V Over once at DC500V
 5. Using Temperature Range: -40° C - +105° C
 6. Suitable Electric Wire: 28-16 AWG
 7. Screw Torque Value: 0.2Nm

- 技术要求:**
- 1.额定电压: 300V, 额定电流: 8A
 - 2.间距: 3.50mm
 - 3.耐电压值: AC250V/min
 - 4.绝缘耐压500V合格
 - 5.使用条件: -40° - +105°
 - 6.适用线规: 28-16 AWG
 - 7.螺丝扭矩: 0.2Nm



pitch dimension	Nominal dimension							
	over 0 to 6	over 6 to 10	over 10 to 24	over 0 to 30	over 30 to 60	over 60 to 100	over 100 to 150	over 150
variable range	6	10	24	30	60	100	150	
Tolerance	±0.1	±0.15	±0.25	±0.2	±0.3	±0.5	±0.7	±1.0

NO.	NAME OF PART	NO. OF PART	Q'TY	MATERIAL	NOTES
5	LC1-3-81-螺丝	SP07A204801Y	P	碳钢	三价铬钝化彩锌
4	LC1-3-81-铜方块	FLADBLC3813Y	P	黄铜	镀锌
3	LC1-3-81-夹子	1002B0001AY	P	磷青铜	镀锌
2	LC1-3-5-盖子	1021C0YXXAY	1	PA66-V0	
1	LC1-3-5-本体	1021A0YXXAY	1	PA66-V0	

DES.	AKTIVE	DATE	11-04-06	UNITS	MM	THIRD ANGLE PROJECTION	SHEET
CHK.		DATE		SIZE	A4		1 of 1
APP.		DATE		SCALE	1:1		REF: Y0

MY CABLE MART LLC	TITLE
	LC1-3-5-2P-1Y-00A
	LC1-3-5-成品