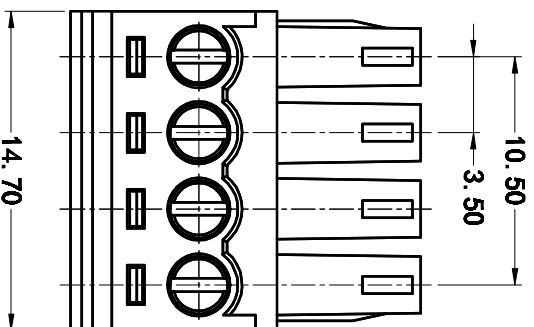
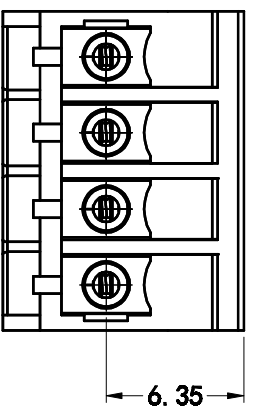
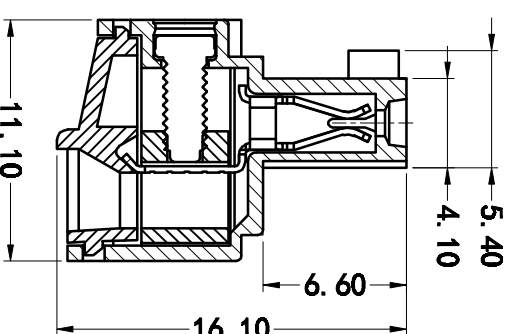


REVISION RECORD		
REV.	CONTENT	DATE
①	初版发行	



- NOTES:**
1. Voltage Rating: 300V, Current Rating: 8A
  2. PITCH: 3.50mm
  3. Insulation Withstands Voltage: AC250V/min
  4. Insulation Resistance: 50M Ω or more at DC500V
  5. Using Temperature Range: -40° C ~ +105° C
  6. Suitable Electric Wire: 28-16 AWG
  7. Screw Torque Value: 0.2Nm

- 技术要求:**
1. 额定电压: 300V, 额定电流: 8A
  2. 间距: 3.50mm
  3. 耐电压值: AC250V/min
  4. 绝缘电阻≥500兆欧
  5. 使用条件: -40° ~ +105°
  6. 适用线规: 28-16 AWG
  7. 螺丝扭矩: 0.2Nm



	pitch dimension			Nominal dimension					Tolerance
	over	over	over	over	over	over	over	over	
variable range	0 to 6	6 to 10	10 to 24	0 to 30	30 to 60	60 to 100	100 to 150	150	— □ ○
	±0.1	±0.15	±0.25	±0.2	±0.3	±0.5	±0.7	±1.0	0.05/10

NO.	NAME OF PART	NO. OF PART	Q'TY	MATERIAL	NOTES
5	LC1-3-81-螺丝	SP07A204801V	P	碳钢	三价钝化彩锌
4	LC1-3-81-铜方块	FLADBLC3813V	P	黄铜	镀锌
3	LC1-3-81-夹子	1002B0001AV	P	磷青铜	镀锌
2	LC1-3-5-盖子	1021C0YXXAV	1	PA66-V0	
1	LC1-3-5-本体	1021A0YXXAV	1	PA66-V0	

DES.	AKTIVE	DATE	11-04-06	UNITS	MM	THIRD ANGLE PROJECTION	SHEET
CHK.	DATE	SIZE	A4	SCALE	1:1	DWG NO.	SP-2-1021001
APP.	DATE	SCALE	1:1	DWG NO.	SP-2-1021001	REV:	Y0

MY CABLE MART LLC		TITLE
		LC1-3-5-4P-1Y-00A
		LC1-3-5-成品