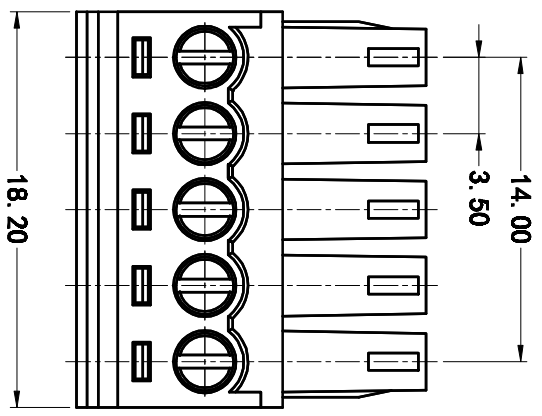
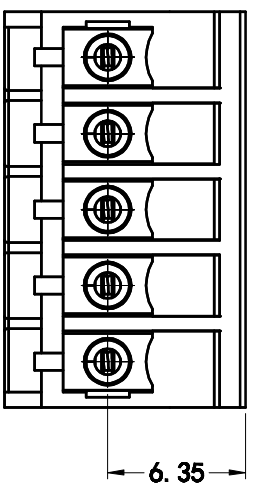
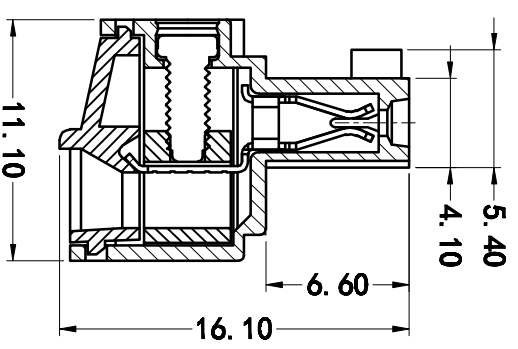


REVISION RECORD		
REV.	CONTENT	DATE
0	初次发行	



- 技术要求:**
- 额定电压: 300V, 额定电流: 8A
  - 间距: 3.50mm
  - 额定电压: AC250V/10A
  - 绝缘耐压: 5000V (1min)
  - 工作温度: -40°C ~ +105°C
  - 额定电流: 28-16 AWG
  - 额定扭矩: 0.2Nm



pitch dimension	Nominal dimension				
	over 0 to 6	over 6 to 10	over 10 to 24	over 24 to 30	over 30 to 60
variable range	0 to 6	6 to 10	10 to 24	24 to 30	30 to 60
Tolerance	±0.1	±0.15	±0.25	±0.2	±0.3

NO.	NAME OF PART	NO. OF PART	Q'TY	MATERIAL	NOTES
1	LC1-3-5-本体	1021A0YXXAV	1	PA66-V0	
2	LC1-3-5-盖子	1021C0YXXAV	1	PA66-V0	
3	LC1-3-81-夹子	1002B0001AV	P	磷青铜	镀锌
4	LC1-3-81-铜方块	FLADBLC3813V	P	黄铜	镀锌
5	LC1-3-81-螺丝	SPOVA204801V	P	碳钢	三价铬钝化彩锌

DES.	AKTIVE	DATE	UNITS	MM	THIRD ANGLE PROJECTION	SHEET
CHK.		DATE	SIZE	A4		1 of 1
APP.		DATE	SCALE	1:1		REV: V0

**MY CABLE MART LLC**      **TITLE**      LC1-3-5-SP-1Y-00A  
LC1-3-5-成品