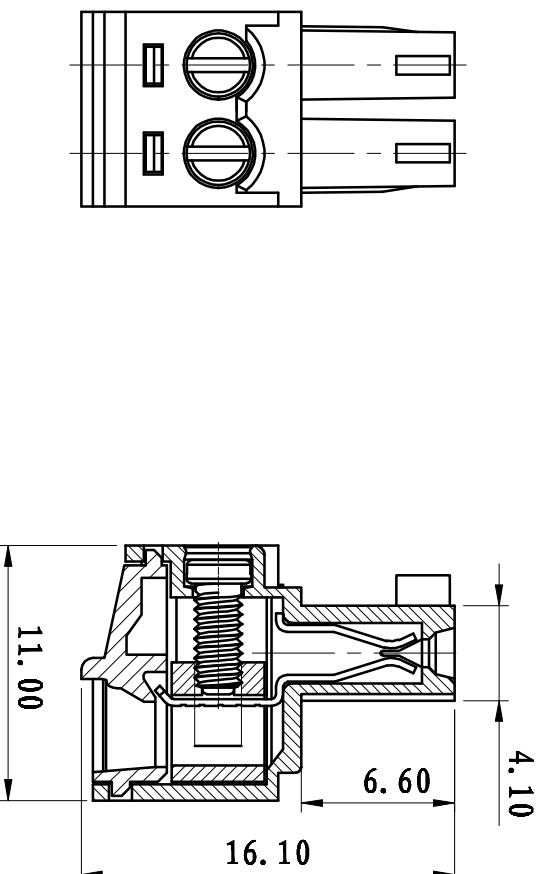
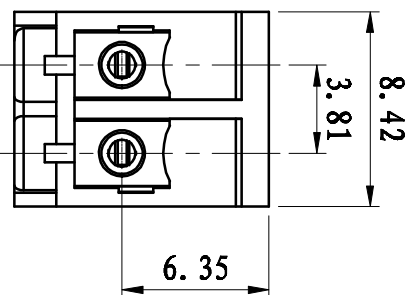


REVISION RECORD			
REV.	CONTENT	NO.	DATE
1	修改件		



- NOTES:**
1. Voltage Rating: 300V, Current Rating: 6A
 2. PITCH: 3.81mm
 3. Insulation Withstands Voltage: AC2500V/min
 4. Insulation Resistance: 500MΩ or more at DC500V
 5. Using Temperature Range: -40° C ~ +105° C
 6. Suitable Electric Wire: 28-16AWG
 7. Screw Torque Value: 0.2Nm

技术要求:

- 1.额定电压: 300V, 额定电流: 6A
- 2.间距: 3.81mm
- 3.绝缘电压值: AC 2500V/min
- 4.绝缘电阻值: 500兆欧
- 5.使用条件: -40° - +105°
- 6.适用线规: 28-16AWG
- 7.螺丝扭力: 0.2Nm

5	LC1-3.81-绝缘	SPW12846017	5	绝缘	三井物产材料	
4	LC1-3.81-端子	1002B0001AV	5	端子铜	住友	
3	LC1-3.81-铜衬套	FLA0BLC3813V	5	铜衬套	住友	
2	LC1-3.81-端子	1002C0071AV	1	铜衬套		
1	LC1-3.81-本体	1002A0071AV	1	PA66-70		
NO.	NAME OR PART	NO.	OR PART	QTY	MATERIAL	
DES.	AKIYUE	DATE	2018/5/8	UNITS	mm	
CHG.		DATE		SIZE	A4	
APP.		DATE		SCALE	1:1	
MY CABLE MART LLC					TITLE	LC1-3.81-端子
					DWG NO.	SP-2-1002002
					DATE	1 / 1
					SHEET	1 / 1
					NOTES	
					TEDD LAMB PROJECTION	

	Nominal dimension					
	pitch	dimension	dimension	dimension	dimension	dimension
variable range	over 0 to 6	over 6 to 10	over 10 to 24	over 0 to 30	over 30 to 60	over 60 to 100
Tolerance	±0.1	±0.15	±0.25	±0.2	±0.3	±0.5
				±0.7	±1.0	0.05/10