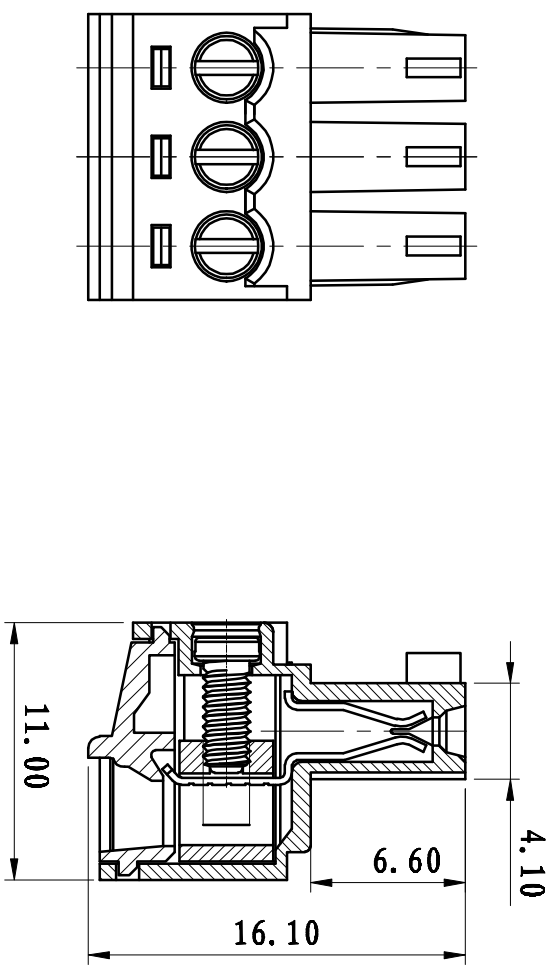
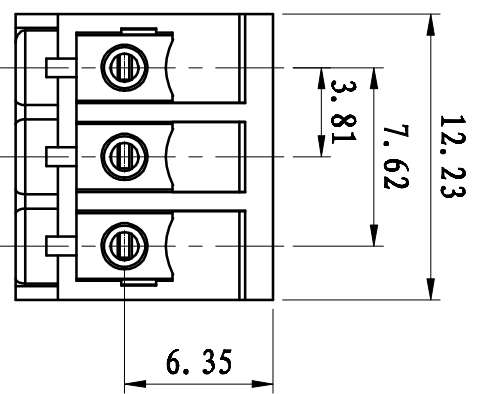


REV.	DESCRIPTION	NO.	DATE
1	零件		



- NOTES:**
- Voltage Rating: 300V, Current Rating: 8A
  - PITCH: 3.81mm
  - Insulation Withstands Voltage: AC2500V/min
  - Insulation Resistance: 500M $\Omega$  or more at DC500V
  - Using Temperature Range: -40 $^{\circ}$ C - +105 $^{\circ}$ C
  - Suitable Electric Wire: 28-16AWG
  - Screw Torque Value: 0.2Nm

**技术要求:**

- 额定电压: 300V, 额定电流: 8A
- 间距: 3.81mm
- 耐电压值: AC 2500V/min
- 绝缘阻抗: 500兆欧
- 使用条件: -40 $^{\circ}$  - +105 $^{\circ}$
- 适用线规: 28-16AWG
- 螺丝扭力: 0.2Nm

	pitch dimension		Nominal dimension					
	over	over	over	over	over	over	over	over
variable range	0 to 6	6 to 10	10 to 24	0 to 30	30 to 60	60 to 100	100 to 150	150
Tolerance	$\pm 0.1$	$\pm 0.15$	$\pm 0.25$	$\pm 0.2$	$\pm 0.3$	$\pm 0.5$	$\pm 0.7$	$\pm 1.0$

NO.	NAME	QTY	MATERIAL	NOTES
1	IC1-3-81-本体	1	PA66-70	
2	IC1-3-81-端子	1	PA66-70	
3	IC1-3-81-绝缘胶	5	黄铜	
4	IC1-3-81-端子	5	磷青铜	
5	IC1-3-81-螺丝	5	碳钢	

DES.	DATE	2010/5/8	UNITS	mm	THIRD ANGLE PROJECTION
CHK.	DATE		SIZE	A4	
APP.	DATE		SCALE	1:1	

MY CABLE MART LLC	TITLE	IC1-3-81-零件
	DWG NO.	SP-2-1002002
	DATE	2010-11-04
	REV.	1 / 1