

HDMI to SDI Converter

User Manual

Thank you for choosing our products. We focus on producing professional, high-quality, cost-effective high-tech products, allowing you to easily enjoy the digital life brought by technology.

For the optimum performance and safety, please read this manual thoroughly before operating the unit and keep it for future reference.

Introduction:

This HDMI to SDI converter allows HDMI signals to be shown on SDI display while ensuring high bit rates of 2.970 Gbit/s to give you high resolution signal without any loss. For professionals this means that it is now easier to convert your high definition HDMI signal with audio to SDI signal for long distance transmission and show your favorite image on the SDI display.

Features:

- Support HDMI 1.3 version. Backward compatible with HDMI 1.2/1.1.
- Compatible with SDI signal: SD-SDI/HD-SDI/3G-SDI
- First-class output quality, fully meet the specialized needs of broadcasting rooms and non-linear editing systems.
- Industrial standard power adapter, support 5V-12V wide power input.
- Strong stability, ensure 24 hours work uninterruptedly.
- 480i/576i to SD-SDI (SMPTE 259M-C, at bitrates of 270 Mbit/s)
- 720p/1080i to HD-SDI (SMPTE 292M, at bitrates of 1.485 Gbit/s or 1.485/1.001 Gbit/s).
- 1080p to 3G-SDI (SMPTE 424M/425M-AB, at bitrates of 2.970 Gbit/s and 2.970/1.001 Gbit/s).
- Support SDI output distance up to 100 meters (3G-SDI), 200 meters (HD-SDI), or 300 meters (SD-SDI)
- Can output audio and image synchronously.
- Easy to install.

- Connect with other units to extend your signal over long distances.

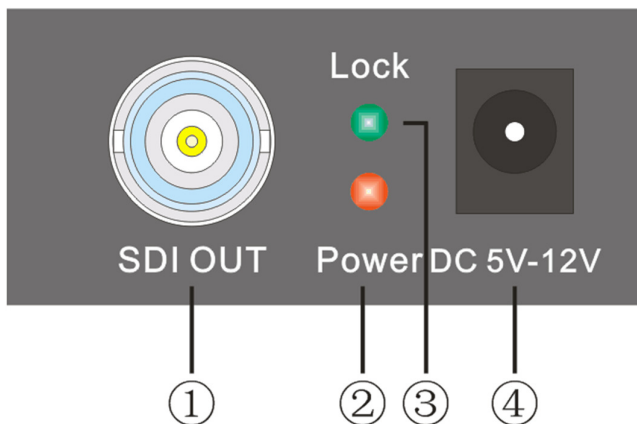
Specifications:

Input Port.....	HDMI
Output Port.....	BNC (SDI/HD-SDI/3G-SDI)
HDMI Input Resolution.....	480i@59.94, 576i, 720p@50/59.94/60, 1080i@50/59.94/60, 1080p@23.98/24/25/29.97/30/50/59.94/60
SDI Transmission Rates.....	2.970 Gbit/s, 2.970/1.001 Gbit/s, 1.485 Gbit/s, 1.485/1.001 Gbit/s and 270 Mb/s
Power Supply.....	DC 5V-12V
ESD Protection Human body model.....	±8kV (air-gap discharge), ±4kV (contact discharge)
Dimension.....	80mm x 41mm x 25 mm
Weight.....	150g
Operating Temperature.....	0° C ~ 40° C / 32° F ~ 104° F
Storage Temperature.....	-20° C ~ 60° C / -4° F ~ 140° F
Humidity.....	20 ~ 90% RH (Non-condensing)
Power Consumption (Max).....	5W

Package Contents:

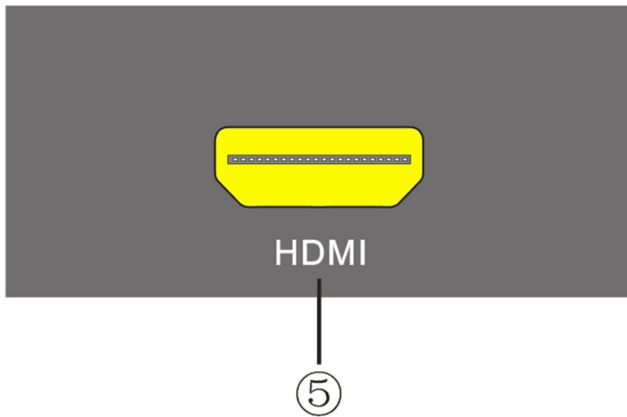
HDMI to SDI Converter.....	1PCS
DC 5V Power Adapter.....	1PCS
User Manual.....	1PCS

Instruction of Interfaces:



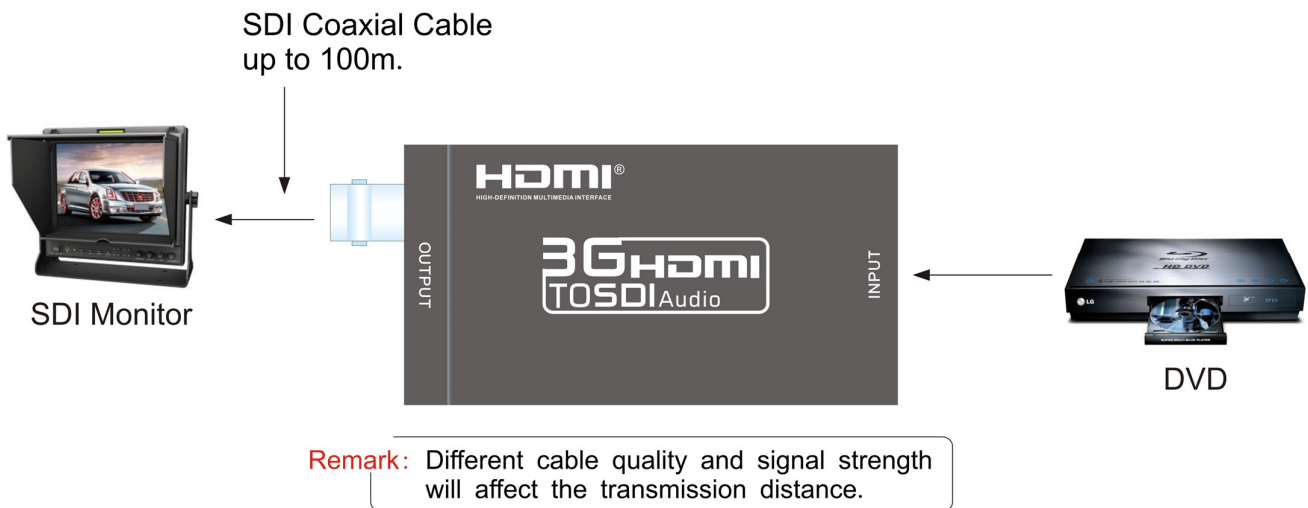
- ① **SDI OUT** : SDI Output. Connect to the device with SDI interface, such as SDI monitor, video camera etc.
- ② **Power**: Power Indicator light. This red LED illuminate when the converter is connected with power supply.
- ③ **Lock**: Input Signal Indicator light.

④ **DC 5V-12V:** Plug the power adapter into the converter.



⑤ **HDMI:** HDMI Input Interface. Connect to the HDMI source with HDMI output interface, such as DVD, TV monitor, computer monitor etc.

Operating and Connecting:



1. Use the HDMI cable to connect the HDMI input interface of the converter to the HDMI output interface of the HDMI source.
2. Use the SDI Coaxial cable to connect the SDI output interface of the converter to the SDI input interface of the SDI device .
3. Connect the power adapter to the converter.