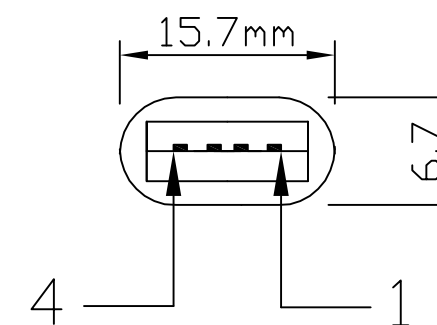
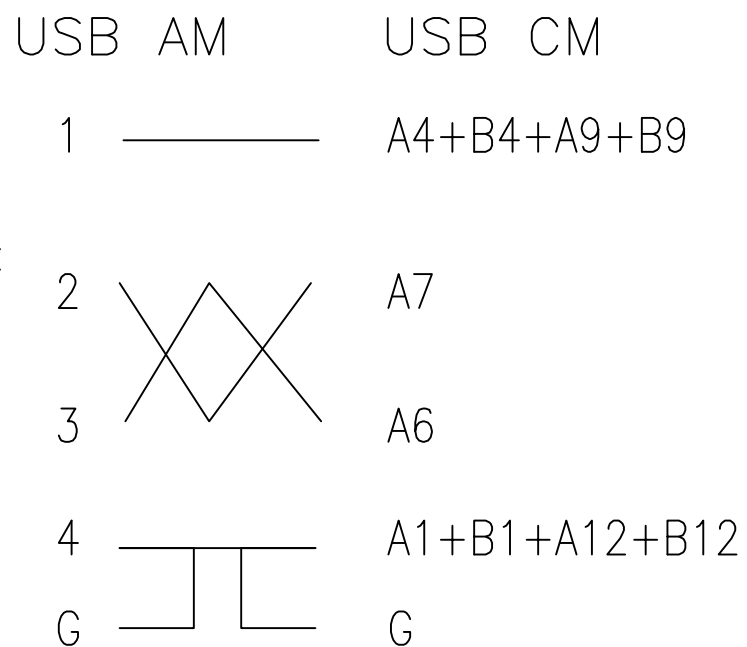


PIN ASSIGNMENT:



CUSTOMER P/N	length
FE-USBM-C27A-6IN	6(IN)150MM ± 20MM
FE-USBM-C27A-01	1.5(FT)450MM ± 30MM
FE-USBM-C27A-03	3(FT)905MM ± 30MM
FE-USBM-C27A-06	6(FT)1830MM ± 30MM
FE-USBM-C27A-10	10(FT)3050MM ± 50MM

7		
6		
5		Molded PCV45Pa BLACK
4		Molded PE
3		USB2.0 AM MALE METALLIC BLU
2		USB2.0 CM 56KΩ MALE METALLIC BLU
1		USB 2.0 CABLE 28AWG(7/0.12BC)*1P + 24AWG(7/0.2BC)*1C+AL+D(28AWG 7/0.2BC) + Protective cable net jacket OD:3.5MM
NO.	Material	Description

MY CABLE MART LLC

Title: USB2.0 CM/AM			
Customer:	Page:1/1	Drawn BY:CLR	
Customer P/N:	REV:A	Check BY:DYH	
Date:2019.10.04	Drawing NO.:	Unit:mm	Appd BY: