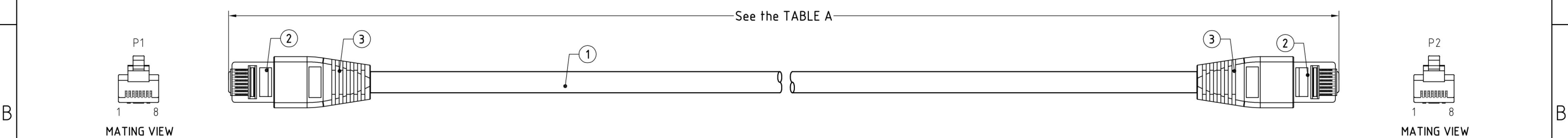


REV.	Revision note	Date	Signature	Checked
1.0	Release to product	13/04/08	Pillar	

A



B

TABLE A

HL P/N	Customer P/N	LENGTH	Conductive resistance
HC.RJ455-0658	HA-C5S-01-BLU	[1ft] 305±10mm	2 Ohm max.
HC.RJ455-0659	HA-C5S-02-BLU	[2ft] 610±10mm	2 Ohm max.
HC.RJ455-0660	HA-C5S-03-BLU	[3ft] 915±20mm	2 Ohm max.
HC.RJ455-0661	HA-C5S-05-BLU	[5ft] 1525±30mm	2 Ohm max.
HC.RJ455-0662	HA-C5S-07-BLU	[7ft] 2135±30mm	3 Ohm max.
HC.RJ455-0663	HA-C5S-10-BLU	[10ft] 3050±60mm	3 Ohm max.
HC.RJ455-0665	HA-C5S-14-BLU	[14ft] 4270±80mm	4 Ohm max.
HC.RJ455-0667	HA-C5S-20-BLU	[20ft] 6100±80mm	5 Ohm max.
HC.RJ455-0669	HA-C5S-25-BLU	[25ft] 7625±100mm	5 Ohm max.

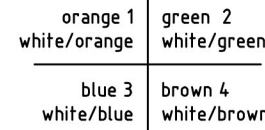
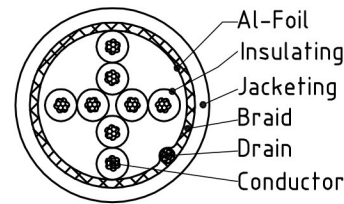
C

D

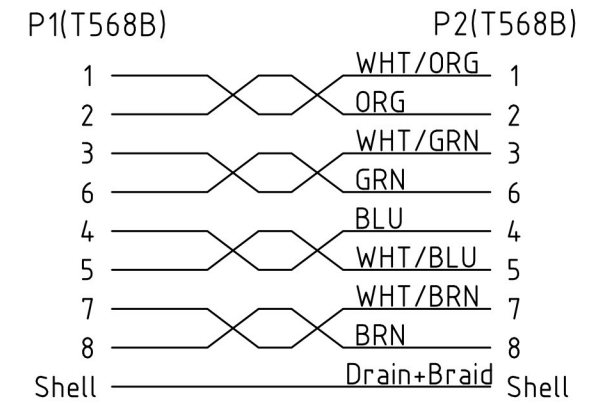
Electrical character:

- 1) 100% Open/short testing
- 2) Withstanding voltage: DC 200V AT 10ms.
AC 300V AT 10ms.
- 3) Insulation resistance: 2M Ohm(min)
- 4) Conductive resistance: Table A.

Wire Details



PIN ASSIGNMENT(568B):



F

3	Hood	RJ45 Hood:PVC 70Pa,Blue	-----	
2	Conn	RJ45 Plug, Pin G/F,with Shell	-----	
1	Cable	Cat.5e STP 26AWG(7/0.16mm,CCA)×4P+A+D(7/0.16mm,CCA)+B(16/5/0.12mm,Al-Mg), Blue, OD5.5mm	-----	
NO.	PART NAME	SPEC DESCRIPTION	PART P/N	REMARK

Mould number:	Customer: M018UA	Customer P/N:	See table A	Article No./ HL-GC-001			
	Designed by: Pillar	Checked by:	Approved by	File number: D-xxxx	Date: 13/04/10	Scale: none	Unit: mm
MY CABLE MART				Name: Cat5e STP cable,Blue			
Packing file:	This drawing contains information that is proprietary to Hailink Electronics Limited incorporated and should not be used without written permission			P/N: HC.RJ455-xxxx(See Table A)	Edition: 1.0	Sheet: 1/3	

1 2 3 4 5 6 7 8