

# Dual-use Steel DVD Mount

Brateck®  
BRACKET TECHNOLOGY

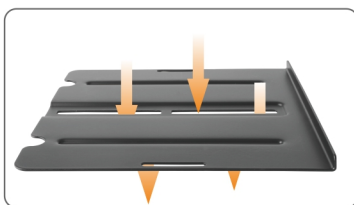
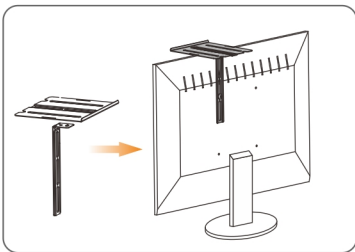
For DVD Players, AV Receivers, Cable Boxes and Other Audio Video Equipments.



## DVD-31

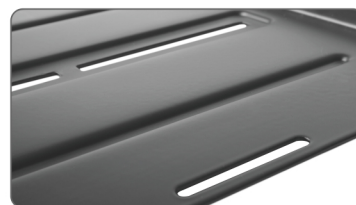
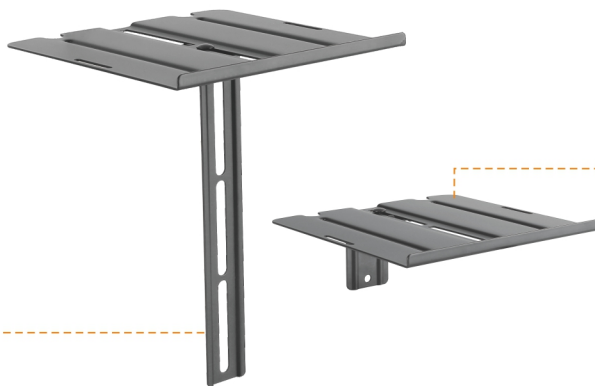


**A. Attach to the back of most 23"-55" TVs in its VESA holes**



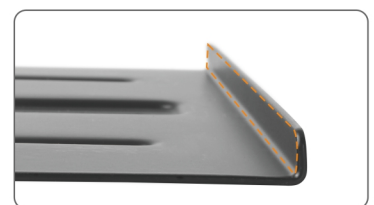
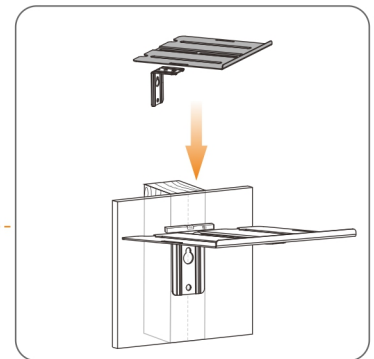
**Air Vents**  
promote cool operation  
and reduce overheating.

## Two-Way Installation



**Silk Black Coat Finish**  
features a stylish  
anti-scratch surface.

**B. Direct installation on the wall**



**Metal Lip**  
prevents DVD from sliding  
or falling off.